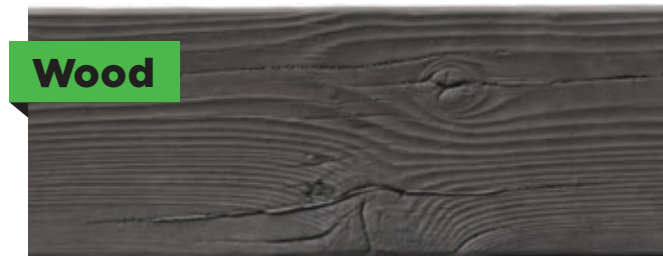


Superior Strength Concrete Sleepers:



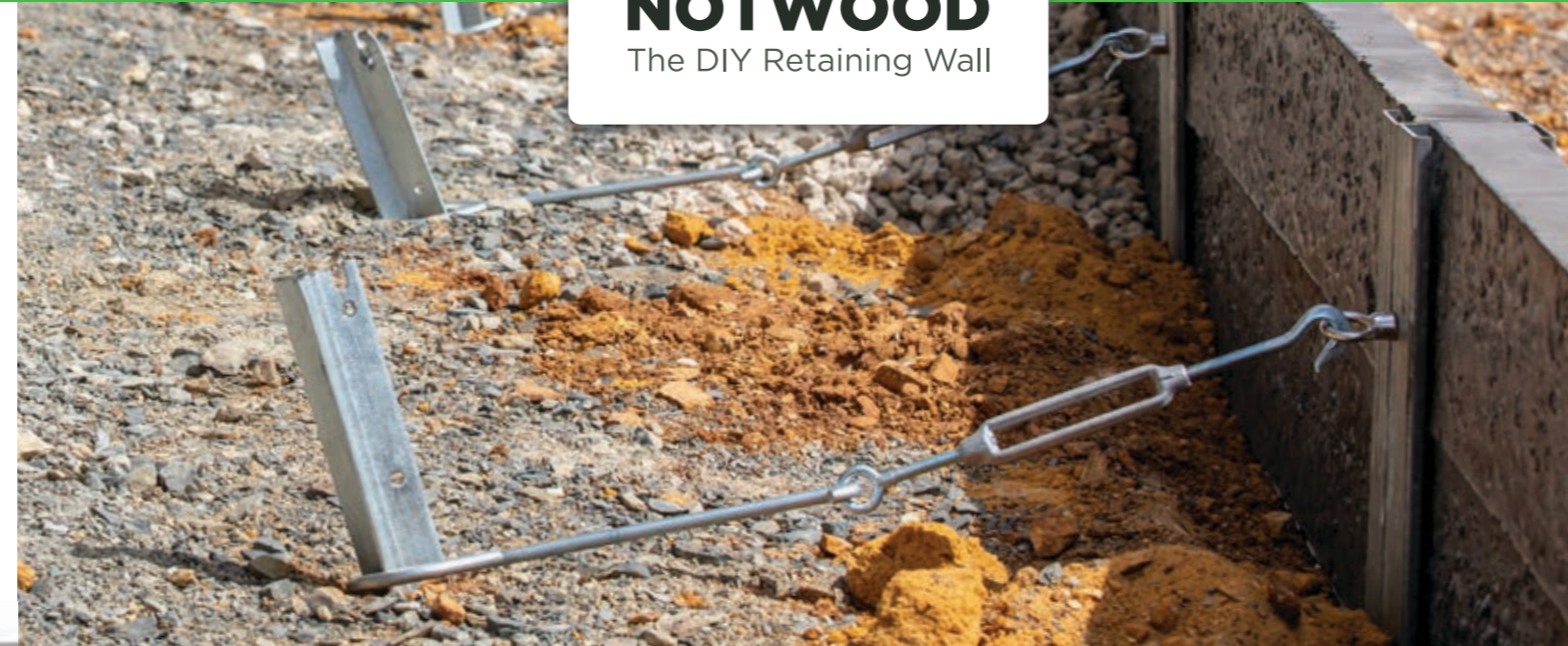
1000m x 150mm x 50mm

- Premium Finishes
- 40 MPa Super Strong Concrete Strength
- 2 x 8mm Reinforcement Bars in each sleeper
- 5-Year Product Warranty



40 MPa CONCRETE STRENGTH

5 Year SLEEPER WARRANTY



DIY Wall Creator™

Prior to installation please utilise our DIY Wall Creator™ to design and calculate your required materials:
diywall.notwood.com.au



INSTALLATION VIDEO



E-INSTALLATION GUIDE



PRODUCT CARE GUIDE

1300 933 859
hello@notwood.com.au
notwood.com.au

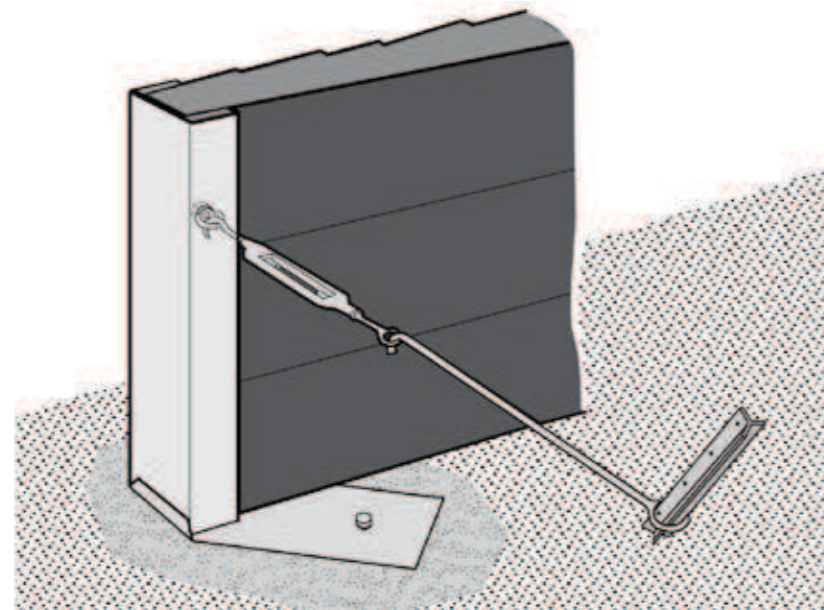
Revolutionary Base Plate & Post System

Notwood's revolutionary Base Plate & Post System removes the need to dig holes, mix concrete and wait for the concrete to cure!

Simply place the Steel Post on top of the Base Plate, secure using the Component Kit and Star Dropper and then slot the Sleepers into the Steel Posts.

It's as simple as that!

For more information go to:
notwood.com.au



The Complete DIY Retaining Wall System

- Simple to Build
- No Holes to dig
- No Concrete to mix
- Superior Strength
- Stylish Design
- 5-Year Product Warranty
- 100% Termite Proof

40 MPa CONCRETE STRENGTH

5 Year SLEEPER WARRANTY



The Complete DIY Retaining Wall System



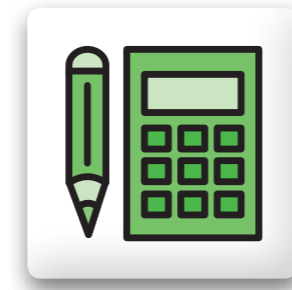
Notwood has been born out of the need to make retaining wall solutions accessible and straight forward for everybody.

The revolutionary plate support system enables anybody to design and install their own retaining wall without the need for expensive contractors and large earthmoving machinery.

Notwood's revolutionary Base Plate & Component Kit system makes Notwood the ultimate DIY solution for retaining walls and the innovative systems requires no post hole digging and no concrete to fill the holes.

- **Concrete Sleepers**
- **40 MPa Superior Strength** (your footpath is 25 MPa!)
- **5-Year Sleeper Warranty**
- **Hot Dipped Galvanised Steel Posts**
- **Revolutionary Plate & Component Kit System**
- **Build Planter Boxes, Gardens – get creative and build what you need**
- **Australian Owned, Designed and Operated.**

Create your wall with our DIY Wall Creator™



Design your wall in 3 easy steps!
Let us calculate what you need!



Visit notwood.com.au to get started! Or use the QR Code to take you straight there.

You Build



- 1 Select Wall Type**
DIY Wall Creator interface showing options: Straight Wall, Wall with 1 Corner, Wall with 2 Corners, Wall with Multiple Corners, Raised Garden / Planter Box.
- 2 Build Your Wall**
DIY Wall Creator interface showing a 3D visualization of the wall being built.
- 3 Select Sleeper**
DIY Wall Creator interface showing options for Wood and Slate sleepers.

We Calculate

- 1 Your Plan**
DIY Wall Creator interface showing a 2D plan view of the wall.
- 2 Your List**
DIY Wall Creator interface showing a list of materials and their costs, including sleepers, columns, channels, base plates, and star droppers.
- 3 Nearest Stockist**
DIY Wall Creator interface showing the nearest stockist location.

Revolutionary Retaining Wall System

Sleepers 1000mm (L) x 150mm (H) x 50mm (D)

Style	Style
Wood S-W1	Slate S-S1
	

Steel Posts

Sleepers High	I Column (Joiner)	C Channel (End Column)	Corner Channel
1 (150mm)	P-GI150	P-GCH150	P-GCR150
2 (300mm)	P-GI300	P-GCH300	P-GCR300
3 (450mm)	P-GI450	P-GCH450	P-GCR450
4 (600mm)	P-GI600	P-GCH600	P-GCR600
5 (750mm)	P-GI750	P-GCH750	P-GCR750

Base Plates

Base Plate A (I Column)	Base Plate B (C Channel & External Corners)	Base Plate C (Internal Corner Channels)
C-BPA	C-BPB	C-BPC

Component Kits & Star Droppers

Kit #1 (1-2 Sleepers high)	Kit #2 (3 Sleepers high)	Kit #3 (4-5 Sleepers high)	Star Dropper 450mm
C-KB1	C-KB2	C-KB3	C-SD

DIY TIP | Design, shop and build your own retaining wall this weekend!

Notwood is part of the Outback Sleepers Group with over 20 years of experience in manufacturing concrete sleepers.

DIY TIP | Before you use the DIY Wall Creator – measure your landscape area.